

ACEDRYER

Hot Air Dryer

Easy to use and high
performance



The Microprocessor-Controlled Ace Dryer:
More User-Friendly and More Powerfull

A variety of easy-to-use features meet the needs of all users.

Microprocessor-Equipped Control Panel

- PID control for accurate temperature control.
- A cause of malfunction is indicated by a warning light.
(negative phase, overload, high temperature, low temperature and sensor defect).
- Automatic start timer (standard).
- Easy-to-read flat panel display makes operation easier.

Operation

Actual drying temp. / Symbol

Alarm

Operation button

Set temp. / Value / Alarm

Error	Operation
Negative phase	Not operate
Overload	Heater and blower stop
High temp.	Heater stops
Low temp. Heater disconnection	Display only
Sensor defect	Heater stops
Heater overheat	Power shut off

Diffuser Cone Mechanism

- The diffuser cone mechanism ensures uniform drying and prevents inadequate drying.

▼ Large access door



Diffuser cone

Easy Maintenance

- Designed for quick color change and maintenance.
- Large access door of the hopper (between two and three times larger than before) facilitates easy maintenance.
- The detachable diffuser cone can be replaced in a snap.
- The collection box can be easily detached to completely remove material.
- The collection box has no wasted space, so material can be completely sucked out.



▲ Collection box(option)

Now with microprocessor control, the Ace Dryer of high reliability has become more advanced and easier to use than ever, featuring a host of high-level functions including PID control and fault detection. A wide range of capacities from 15kg to 500kg are available. This is truly a dryer for the next generation.

Insulated Drying Hopper (option)

- Insulation keeps the heat in to reduce energy consumption, and increases safety by reducing the risk of burns.
- * Be sure to mount the hopper when using at temperatures exceeding 130°C



Standard specifications

Model	ADA-15	ADA-25	ADA-50	ADA-75	ADA-100	ADA-150	ADA-200	ADA-250	ADA-300	ADA-400	ADA-500	
Hopper capacity (L)	25	42	83	125	167	250	330	420	500	670	830	
Charged volume(kg)	15	25	50	75	100	150	200	250	300	400	500	
Drying temperature(°C)	130 [160°C specification is optional (Insulated drying hopper)]											
Heater (kW)	2	3	6	6	9	12	15	18	22.5	27	31.5	
Blower (kW)	0.02	0.05	0.1	0.2	0.2	0.3	0.4	0.4	0.75	0.75	1.5	
Power supply	AC200V 50/60Hz (AC220V 60Hz)											
Control method	Microprocessor control											
Temperature control	PID control											
Maximum air flow (m ³ /min)	50Hz	2.2	3.5	6.4	9.1	9.1	13.1	15.5	15.5	20.0	14.3	17.2
	60Hz	2.7	4.1	7.3	10.7	10.7	15.0	18.2	18.2	22.6	16.5	20.0
Maximum static pressure (kPa)	50Hz	0.35	0.55	0.7	1.02	1.02	1.26	1.5	1.5	1.6	2.79	2.9
	60Hz	0.51	0.79	1.0	1.47	1.47	1.77	2.15	2.15	2.3	3.82	3.92
Heater type	Sheathed heater											

Note: The charged volume for ADA-100 or larger models represents values with an automatic loader and loader mount (option) attached. However, the volume differs depending on the shape of molding material and the method to feed them.

* Contact us for charged volume over 500kg.

Example of drying temperature and drying time by resin.

Resin	Drying temperature(°C)	Standard drying time (Hr)
ABS	80 ~ 90	2 ~ 4
AS	80 ~ 90	2 ~ 3
PS	70 ~ 80	1 ~ 2
PE	60 ~ 80	1 ~ 2
PP	60 ~ 80	1 ~ 2
PVC	60 ~ 80	1 ~ 2
PPO	80 ~ 100	2 ~ 4
PC	120 ~ 130	2 ~ 4
POM	80 ~ 110	2 ~ 3

* The above figures may vary depending on grades of material or conditions.

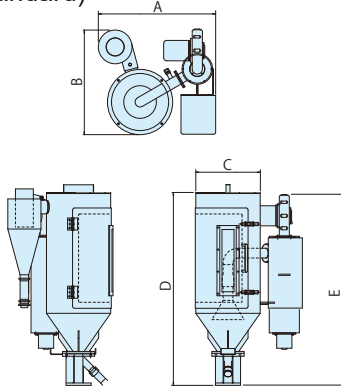
A wide range of options

- Stand with casters
- Collection box
- Insulated drying hopper (for high temperature use)
- Warning buzzer
- Earth leakage breaker
- Hopper lower limit level switch
- Calendar timer

Outline dimension

■ Dimensions without a stand (standard)

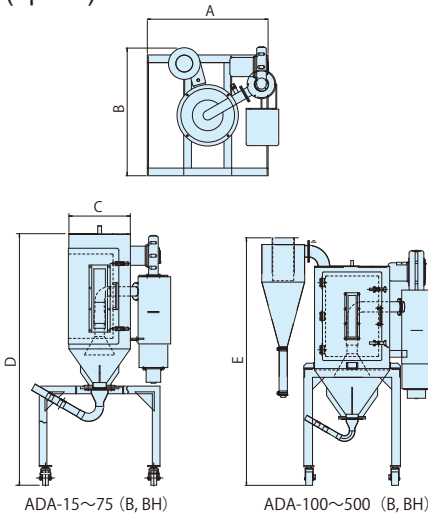
Unit :mm



	Model	A	B	C	D	E	Weight (kg)
Not insulated	ADA-15	575	516	φ320	959	—	46
	ADA-25	575	516	φ320	1119	—	49
	ADA-50	792	745	φ487	1218	1264	75
	ADA-75	792	745	φ487	1428	—	81
Insulated (Option)	ADA-15H	603	570	372	959	—	58
	ADA-25H	603	570	372	1119	—	63
	ADA-50H	828	796	540	1218	1264	96
	ADA-75H	828	796	540	1428	—	107

■ Dimensions with a stand (option)

Unit :mm



	Model	A	B	C	D	E	Weight (kg)
Not insulated	ADA-15B	685	671	320	1324	—	63
	ADA-25B	685	671	320	1454	—	66
	ADA-50B	834	805	487	1570	1616	94
	ADA-75B	834	805	487	1780	—	100
	ADA-100B	1264	764	560	1630	1844	165
	ADA-150B	1354	835	640	1793	2008	175
	ADA-200B	1361	835	640	2018	2290	210
	ADA-250B	1610	920	724	2197	2469	275
	ADA-300B	1713	980	780	2797	2492	320
	ADA-400B	1750	980	780	2537	2797	340
	ADA-500B	1805	1200	1072	2674	2933	500
	Insulated (Option)	ADA-15BH	707	690	372	1311	—
ADA-25BH		707	690	372	1471	—	80
ADA-50BH		862	834	540	1570	1616	115
ADA-75BH		862	834	540	1780	—	126
ADA-100BH		1326	815	612	1630	1844	192
ADA-150BH		1410	867	692	1793	2008	210
ADA-200BH		1410	878	692	2018	2290	250
ADA-250BH		1660	980	777	2197	2469	360
ADA-300BH		1765	1030	833	2232	2492	400
ADA-400BH		1805	1030	833	2537	2797	426
ADA-500BH		2104	1250	1072	2674	2933	600

*These specifications are subject to change without notice.

*Please read the instruction manual carefully before use.

KAWATA U.S.A.,INC.

www.kawata-usa.com

Total Systems Engineer

KAWATA MFG. CO., LTD.

Japan HEAD OFFICE (International Division) Phone:81-6-6531-8211 Fax:81-6-6531-8216
Phone:81-6-6531-2914 Fax:81-6-6531-8216

Sales Office

China KAWATA MACH. MFG. (SHANGHAI) CO., LTD. Shanghai Office Phone:86-21-6289-8989 Fax:86-21-6279-1266
Dalian Office Phone:86-411-8753-8921 Fax:86-411-8753-8921
Tianjin Office Phone:86-22-2370-7800 Fax:86-22-2370-7801
Shenzhen Office Phone:86-755-8229-5250 Fax:86-755-8229-5251
Guangzhou Office Phone:86-20-3402-5200 Fax:86-20-3402-5183

Hong Kong KAWATA MACHINERY (HK) LTD. Phone:852-3118-1326 Fax:852-2545-0576

Taiwan R.O.C. TAIWAN KAWATA CO., LTD. Phone:886-3-534-1847 Fax:886-3-534-1848

Thailand KAWATA (THAILAND) CO., LTD. Phone:66-2-692-1331 Fax:66-2-692-1332

Vietnam KAWATA (THAILAND) CO., LTD. (Hanoi Representative Office) Phone:84-4-22250155 Fax:84-4-22250156

Malaysia KAWATA MARKETING. SDN. BHD. Phone:60-6-678-6666 Fax:60-6-678-4992

Singapore KAWATA PACIFIC PTE. LTD. Phone:65-6286-8817 Fax:65-6286-5519

Indonesia KAWATA PACIFIC PTE. LTD. (Jakarta Representative Office) Phone:62-21-7169-7346 Fax:62-21-535-8144

Philippines KL AUTOMATION EQUIPMENT SALES & SERVICES (Kawata Thailand Co., Ltd. Representative Office) Phone:63-2-681-6174

Germany KAWATA EUROPE (Kawata Mfg. Co., Ltd Liaison Office Europe) Phone:49-6251-136990 Fax:49-6251-136991

U.S.A. CONAIR-KAWATA SALES & SERVICE CO. Phone:1-814-432-6380 Fax:1-814-432-6267

India PREVISION WORLD (INDIA) PVT. LTD. Delhi Office Phone:91-11-4653-8972 Fax:91-11-4606-8355

Chennai Office Phone:91-44-4273-8661 Fax:91-44-4273-8662

Pune Office Phone:91-20-6510-4700 Fax:91-20-6614-1903

Plant

China KAWATA MACH. MFG. (SHANGHAI) CO., LTD. Phone:86-21-3407-3260 Fax:86-21-3407-3261

Indonesia PT. KAWATA INDONESIA Phone:62-21-89844560 Fax:62-21-89844559