



High Speed Fluidizing Mixer



SMV-10Ba/20Ba

SUPERMIXER



SUPERMIXER

The high speed fluidizing mixer that an original idea of Kawata is condensed

It is a mixer for research and development suitable for mixture and dispersion of various powder/grain production.

Based on the knowledge about material and purpose experientially-acquired, high speed rotation of originally designed impellers combination enables most appropriate flow action.

There are wide effects for mixing, dispersion, granulation, impregnation, crush, drying, coating, surface treatment with this.

■ Features

- **Smaller than ever**
- **Approx. 30% space-saving** Compared to SMV-20A

Operable with smaller circuit breaker

[Compared with our standard product]

- **Standard product (SMV-20A):** Electric capacity 10kVA, Circuit breaker 50AT

- ▶ ▶ ▶ **SMV-20B: Electric capacity 7.4kVA Circuit breaker 30AT**

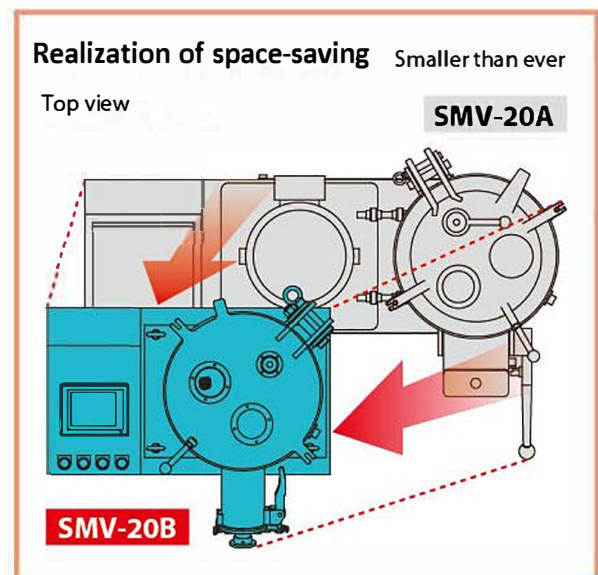
- **Uniform mixing in short time**
- **Quick and stable processing**

High versatility

- **Handling various material processing** (mixing, dispersion, granulation, impregnation, crush, drying, coating, surface treatment)

Scale-up possibility

- **Various lineup** By analysis of basic data, technically supported scale-up is possible.



Customized system ● Various option available

(Antiwear protection, Pressure reduction, Chopper, GMP, Heating unit, Cooling unit, etc.)

Easy to clean

● Structurally easy access for Cleaning and Maintenance

Easy shifting with wheel caster

Improved cleaning property



- All Stainless steel (SUS304) at material contact area
- The discharge shot adopts hinge opening and shutting type. Easily disassemble.

Data collection function as standard feature

● **General-purpose memory is sold separately.**

● Saving data in memory card, Rotation, Amperage, Material temperature

Sampling in a given period of time(One second interval) with CSV form output. Remark: Rotation, Time, Temperature are not automatically indicated

		rpm	A	℃
		Rotation	Amperage	Temperature
7				
8				
9				
10	2009/10/14 1654	1320	8.3	23
11	2009/10/14 1654	1500	8.4	23
12	2009/10/14 1654	1700	8.4	23
13	2009/10/14 1654	1880	7.6	23
14	2009/10/14 1654	2000	7.5	23
15	2009/10/14 1654	2000	7.5	23

* Conventional SMV-10B / 20B is sold separately.

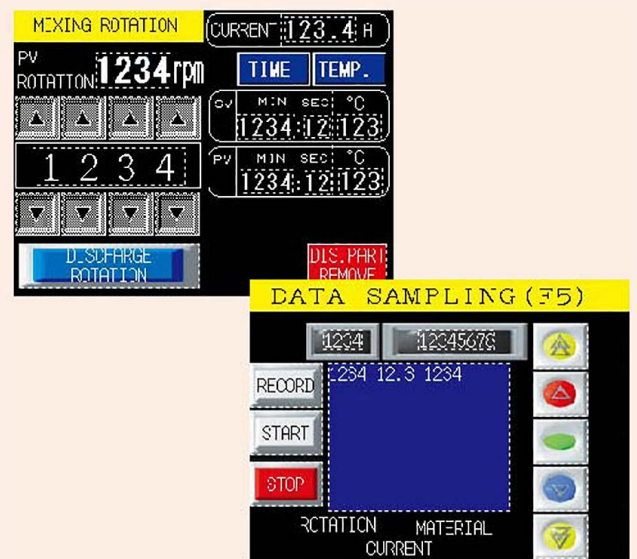
SMV-10Ba / 20Ba is an SD card

Enhanced operability with menu type color touch panel display

● **Japanese notation**

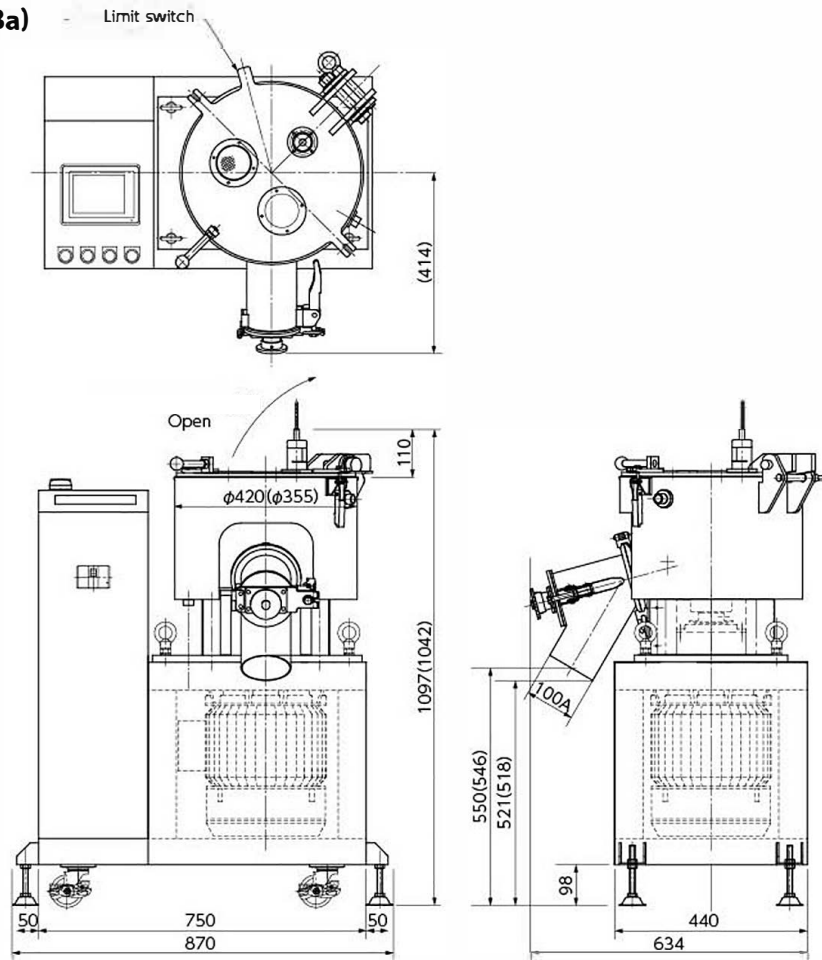


● **English notation**



Dimensions

SMV-20Ba(SMV-10Ba)



Specifications

Models	Tank	(L) Size	(L) Feed Volume	Power supply (kVA)	(AT)	(Kw) Motor capacity	Compressed air	Water supply	Jacket capacity (L)	(kg) Weight
SMV-10Ba	10		6~7	5.2	20	3.7 4P Inverter	—	—	3	200
SMV-20Ba	20		12~14	7.4	30	5.5 4P Inverter	—	—	5	250

*These specifications are subject to change without notice.

*Please read the instructions manual carefully before use.



KAWATA U.S.A.,INC

www.kawata-usa.com

712 W Algonquin Rd Arlington Heights, IL 60005

Total Systems Engineer

KAWATA MFG. CO., LTD.

HEAD OFFICE /Phone.81-6-6531-8211 Fax.81-6-6531-8216 INTERNATIONAL DIVISION /Phone.81-6-6531-2914 Fax.81-6-6531-8216

SALES OFFICE

(CHINA) KAWATA MACH.MFG.(SHANGHAI) CO.,LTD.

□ Shanghai Office /Phone.86-21-6289-8989
 □ Dalian Office /Phone.86-411-8753-8921
 □ Tianjin Office /Phone.86-22-2370-7800
 □ Shenzhen Office /Phone.86-755-8229-5250
 □ Guangzhou Office /Phone.86-20-3402-5200

(HONG KONG) KAWATA MACHINERY(HK) LTD.

/Phone.852-3118-1326

(TAIWAN R.O.C) TAIWAN KAWATA CO.,LTD.

/Phone.886-3-534-1847

(THAILAND) KAWATA (THAILAND) CO.,LTD.

/Phone.66-2-692-1331

(VIETNAM) KAWATA (THAILAND) CO.,LTD.

/Phone.84-4-22250155

(Hanoi Representative Office)

(MALAYSIA) KAWATA MARKETING. SDN. BHD.

/Phone.60-6-765-6628

(SINGAPORE) KAWATA PACIFIC PTE. LTD.

/Phone.65-6286-8817

(INDONESIA) KAWATA PACIFIC PTE. LTD.

/Phone.62-21-290-21-992

(Jakarta Representative Office)

(PHILIPPINES) KJ/AUTOMATION EQUIPMENT SALES & SERVICES /Phone.63-2-681-6174

(Kawata (Thailand) Co., Ltd. Representative Office)

(INDIA) PREVISION WORLD (INDIA) PVT. LTD.

□ Delhi Office /Phone.91-11-4653-8972 □ Chennai Office /Phone.91-44-4273-8662

□ Pune Office /Phone.91-20-6510-4700

(MEXICO) CONAIR MEXICANA S.A. DE C.V.

/Phone.52-818-327-1

238

PLANT

(CHINA) KAWATA MACH.MFG.(SHANGHAI) CO.,LTD. /Phone.86-21-3407-3260

(INDONESIA) PT. KAWATA INDONESIA /Phone.62-21-8984-4560